

# SUBMITTAL/TECHNICAL DATA SHEET



## DESCRIPTION

Insulated Lightweight Access Door offers a solution to larger openings in vertical or horizontal applications. Available in both pre-finished, embossed, galvanized steel, and aluminum door skins.

## FEATURES

- Lightweight
- Ceiling Application
- Custom Sizing

## SPECIFICATIONS

MODEL: BLW/BLW-D

DOOR: 26 gauge Steel, Pre-Finished, Embossed

FRAME: .045 inch 6063-T5 Extruded Aluminum

### SIZE:

- Min:
- Single Door: 12 inches by 12 inches
  - Double Door: 24 inches by 24 inches
- Max:
- Single Door: 18 inches by 72 inches, 24 inches by 60 inches or 48 inches by 48 inches
  - Double Door: 60 inches by 96 inches, 66 inches by 90 inches or 84 inches by 84 inches

INSTALLATION: Ceiling

FLANGE: 1-5/16 inch, Rolled

HINGE: Continuous Piano

### FINISH:

Door Skin: White Embossed Steel  
Frame: Clear Anodized Aluminum

WARRANTY: 1 year

OPTIONS: Latches, Door Styles and Gaskets

For a complete list of options visit [www.AccessDoorsAndPanels.com](http://www.AccessDoorsAndPanels.com)



SKU: **B LWT**

**LIGHTWEIGHT ACCESS DOOR**

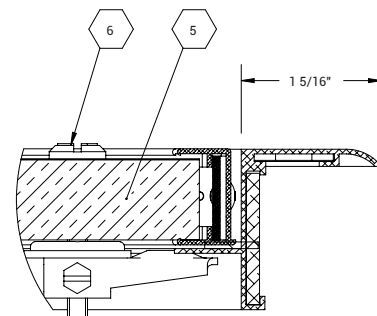
## DIMENSIONS AND APPEARANCE

>> CLICK TO VIEW ADDITIONAL DETAILS AND PRICING <<

### ORDER GUIDE:

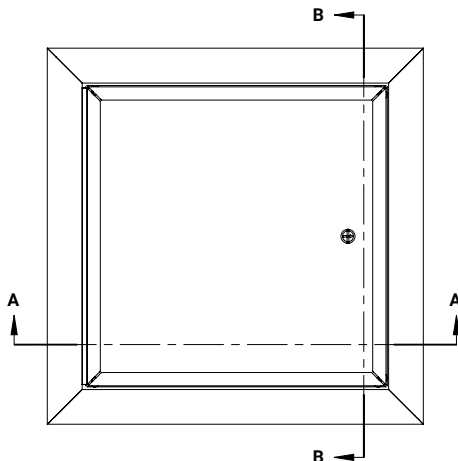
BASE	LATCH	WIDTH	X	LENGTH	OPTIONS
BLW					
	L - Key Operated Cam Lock	STANDARD SIZES (W X L)			A - Aluminum Panel Insert
	T - Screwdriver Cam Latch	12" X 12"	24"	48"	G - Gasketing
		18" X 18"	30"	30"	
		22" X 30"	30"	36"	
		22" X 36"	48"	48"*	
		24" X 24"	60"	48"*	
		24" X 36"	72"	48"*	

Rough opening is door size + 1/4 inch minimum.  
Additional sizes available, call for more information.

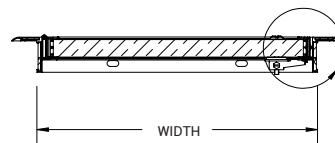


DETAIL C  
SCALE 1 : 1.5

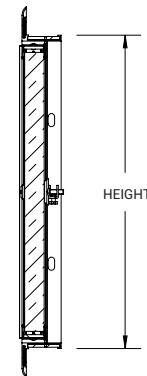
\*Double door construction.



FOR DETAILED SPECIFICATIONS  
SEE SUBMITTAL SHEET



SECTION A-A



SECTION B-B

## PROJECT DATA

Custom Sizes Available - Fast!

PROJECT NAME :	QTY	W	H	OPTIONS
ARCHITECT :				
DEALER :				
CONTRACTOR :				
LOCATION :	SPECIAL INSTRUCTIONS :			
DATE :	SUBMITTAL APPROVAL : (signature or stamp)			
TAGGING INSTRUCTIONS :				

Scan or Click



To view Pricing and  
Additional Product Info.

TELEPHONE:  
1-888-457-1275  
FAX:  
1-888-626-2907



PO BOX 66738 #76520,  
SAINT LOUIS, MO  
63166-6738  
USA

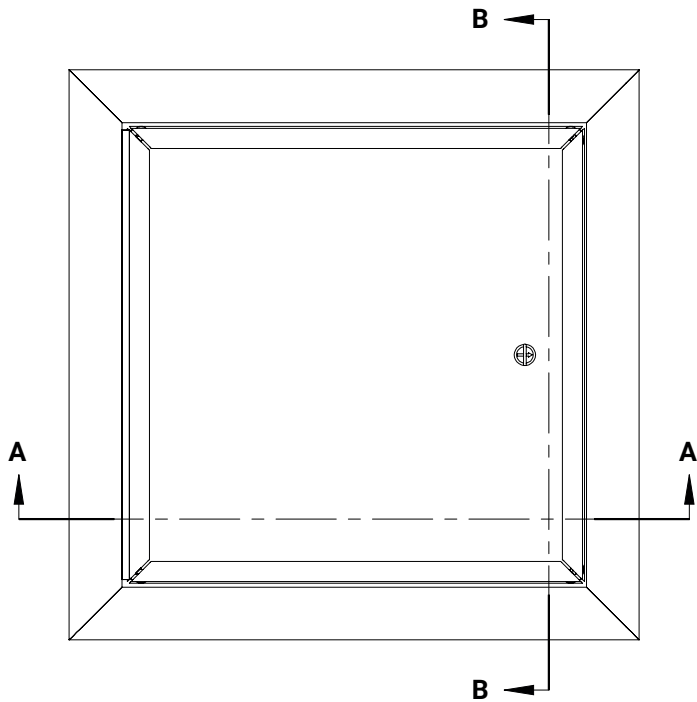


WEBSITE:  
[www.AccessDoorsAndPanels.com](http://www.AccessDoorsAndPanels.com)  
E-MAIL:  
[info@AccessDoorsAndPanels.com](mailto:info@AccessDoorsAndPanels.com)



# B LWT

# INSULATED LIGHTWEIGHT ACCESS DOOR



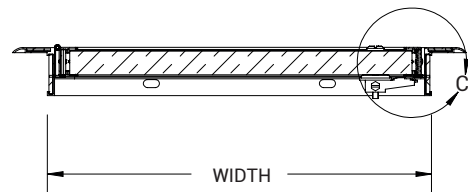
**NOTES:**

- ① FRAME: .080-6063-T5 Extruded Aluminum
- ② DOOR: FRAME: .045-6063-T5 Extruded Aluminum  
PANEL: 24 Ga Galv Steel
- ③ HINGE:
- ④ FINISH: FRAME: Clear Anodized  
PANEL: Pre-Finished White Embossed
- ⑤ INSULATION: 3/4" Extruded Polystyrene, 3.8 R Value
- ⑥ LATCH: Screwdriver Cam

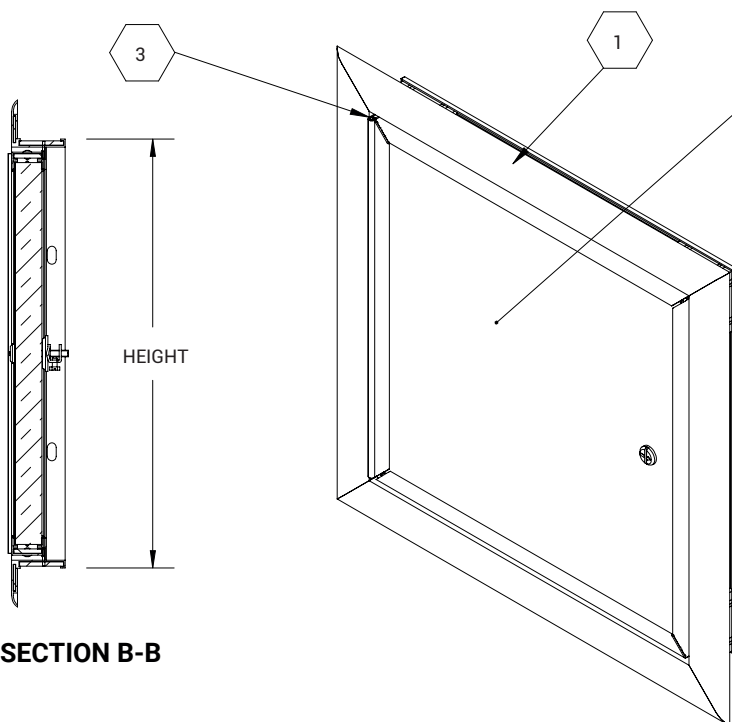
**OPTIONS:**

- Aluminum Door Panel, Mill (A)
- Gasket Installed (G)

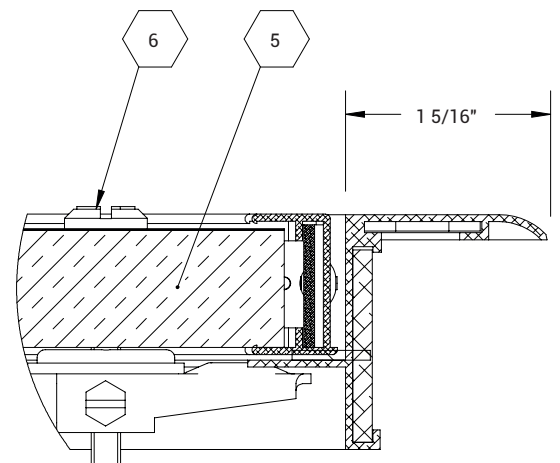
ROUGH OPENING: W + 0.25" x H + 0.25"  
CLEAR OPENING: W - 2.00" x H - 1.688"  
DEGREE OF OPENING: 180°



**SECTION A-A**



**SECTION B-B**



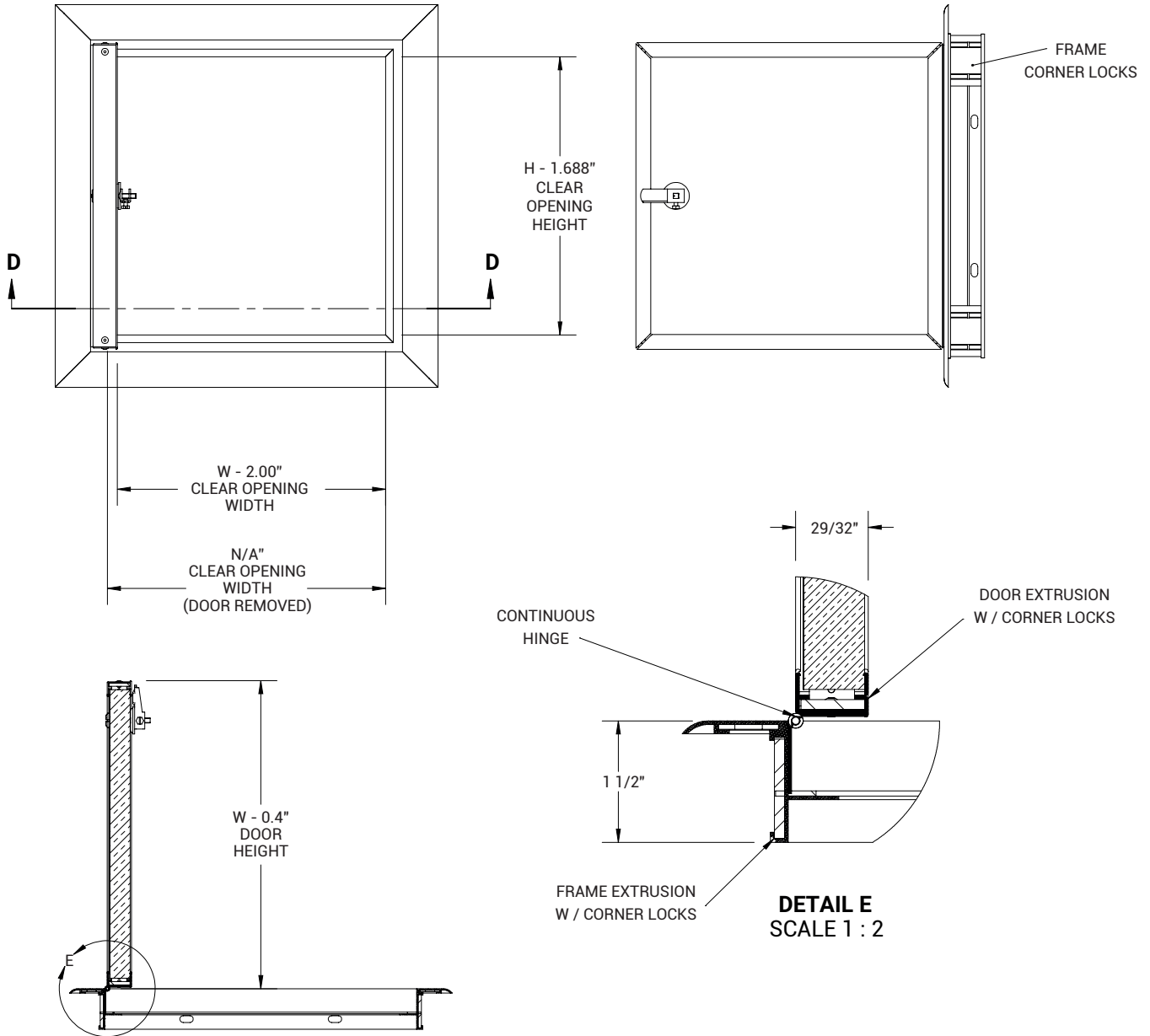
**DETAIL C**

SCALE 1 : 1.5



**B LWT**

**INSULATED LIGHTWEIGHT  
ACCESS DOOR**



**SECTION D-D**

**DETAIL E  
SCALE 1 : 2**